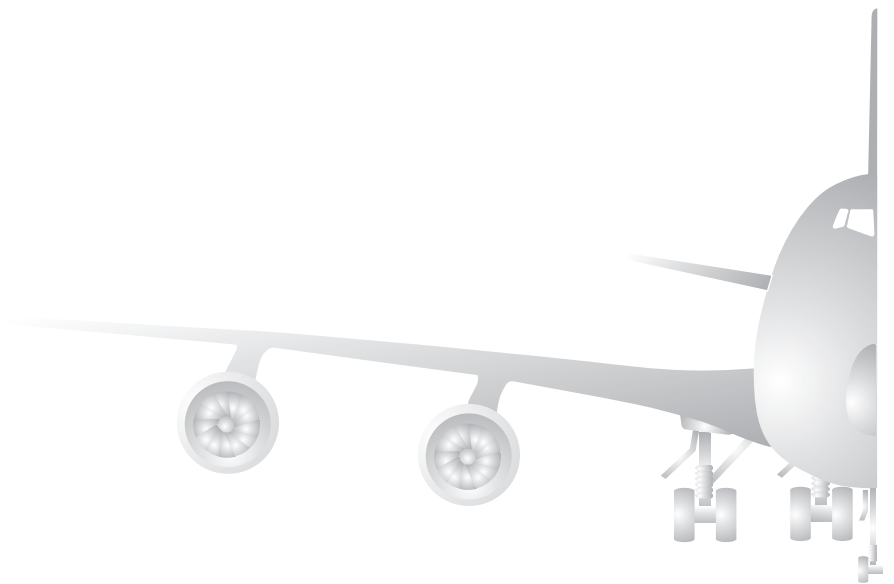


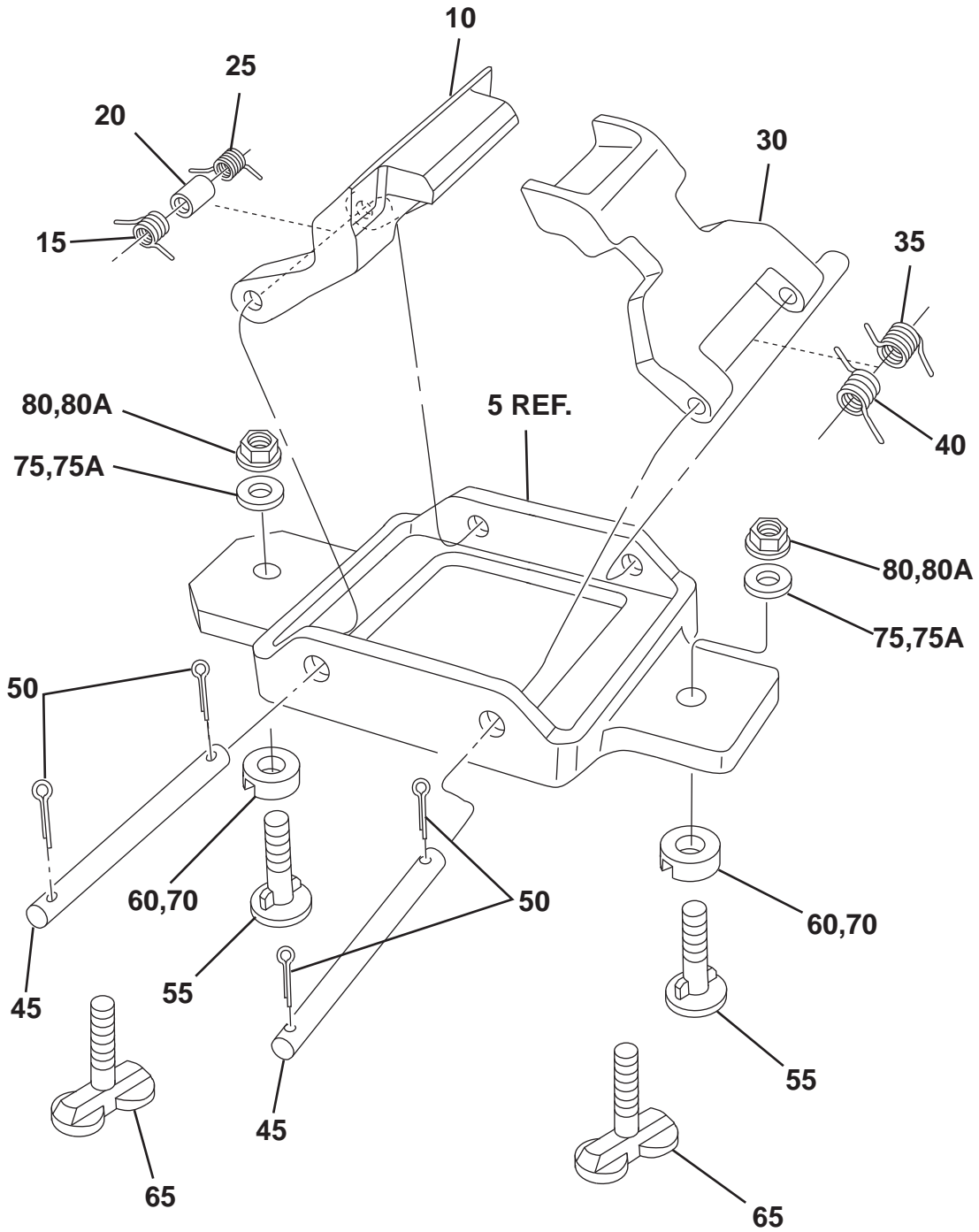
## Aircraft Cargo Parts Catalog

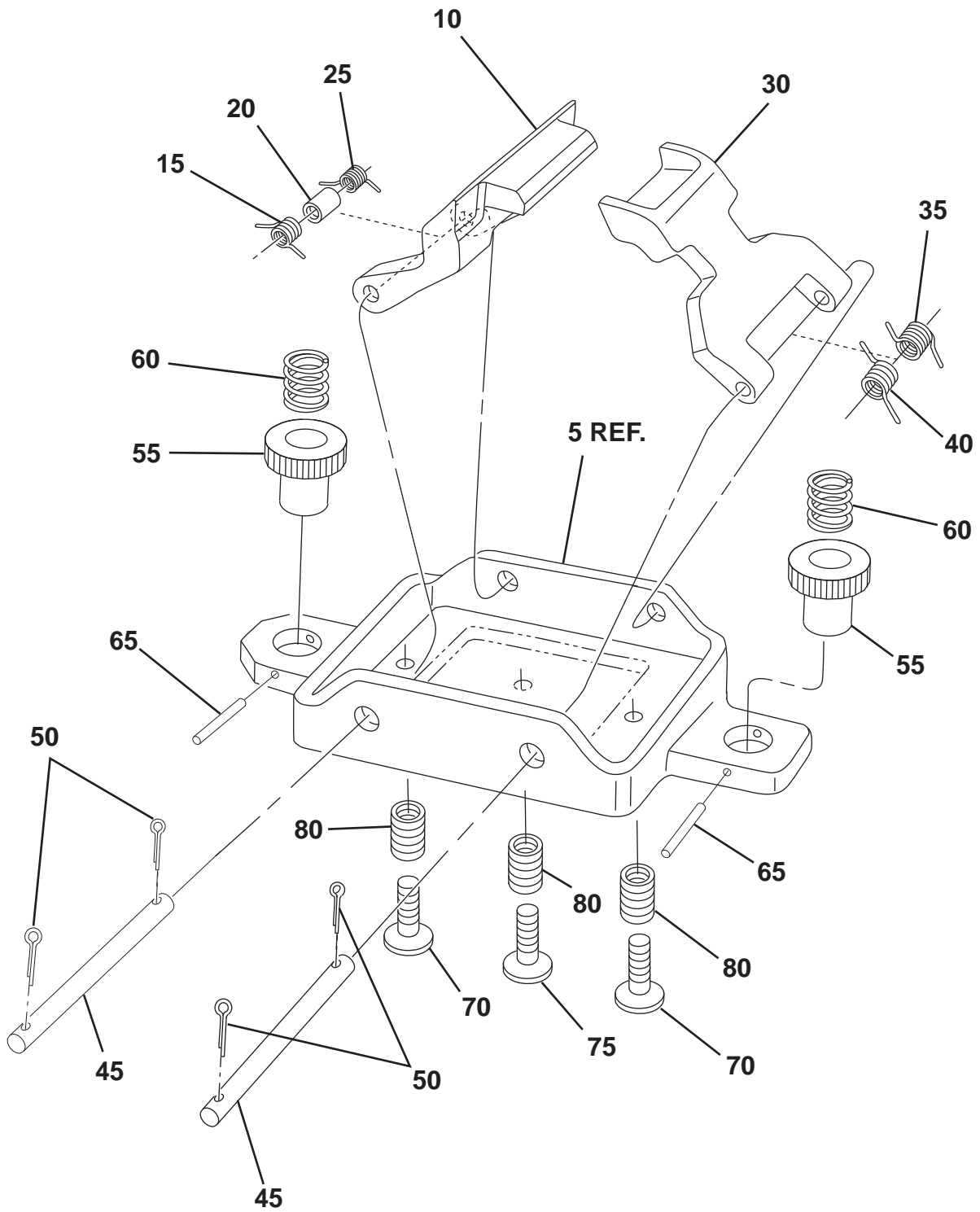
# UPS/Boeing 747

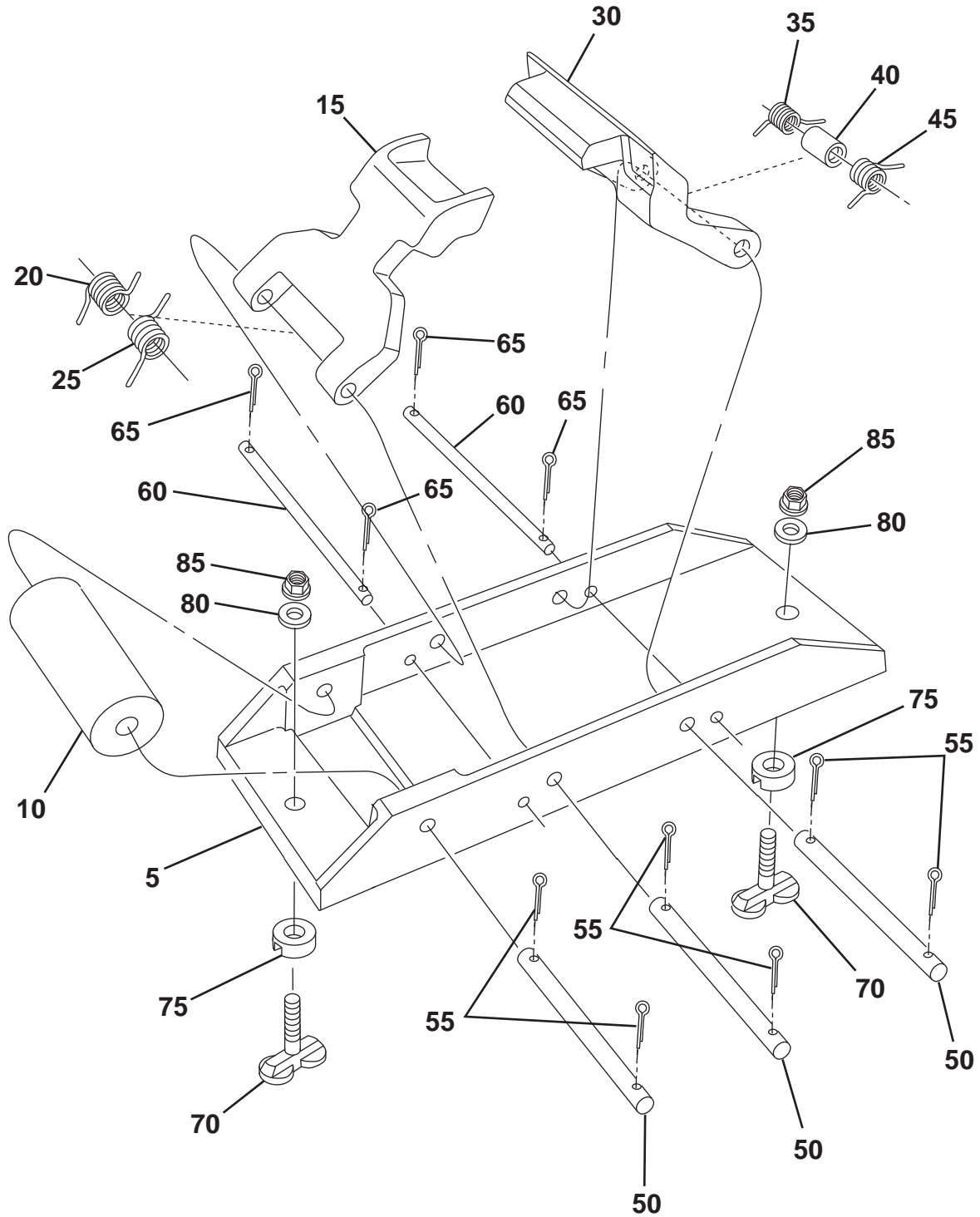


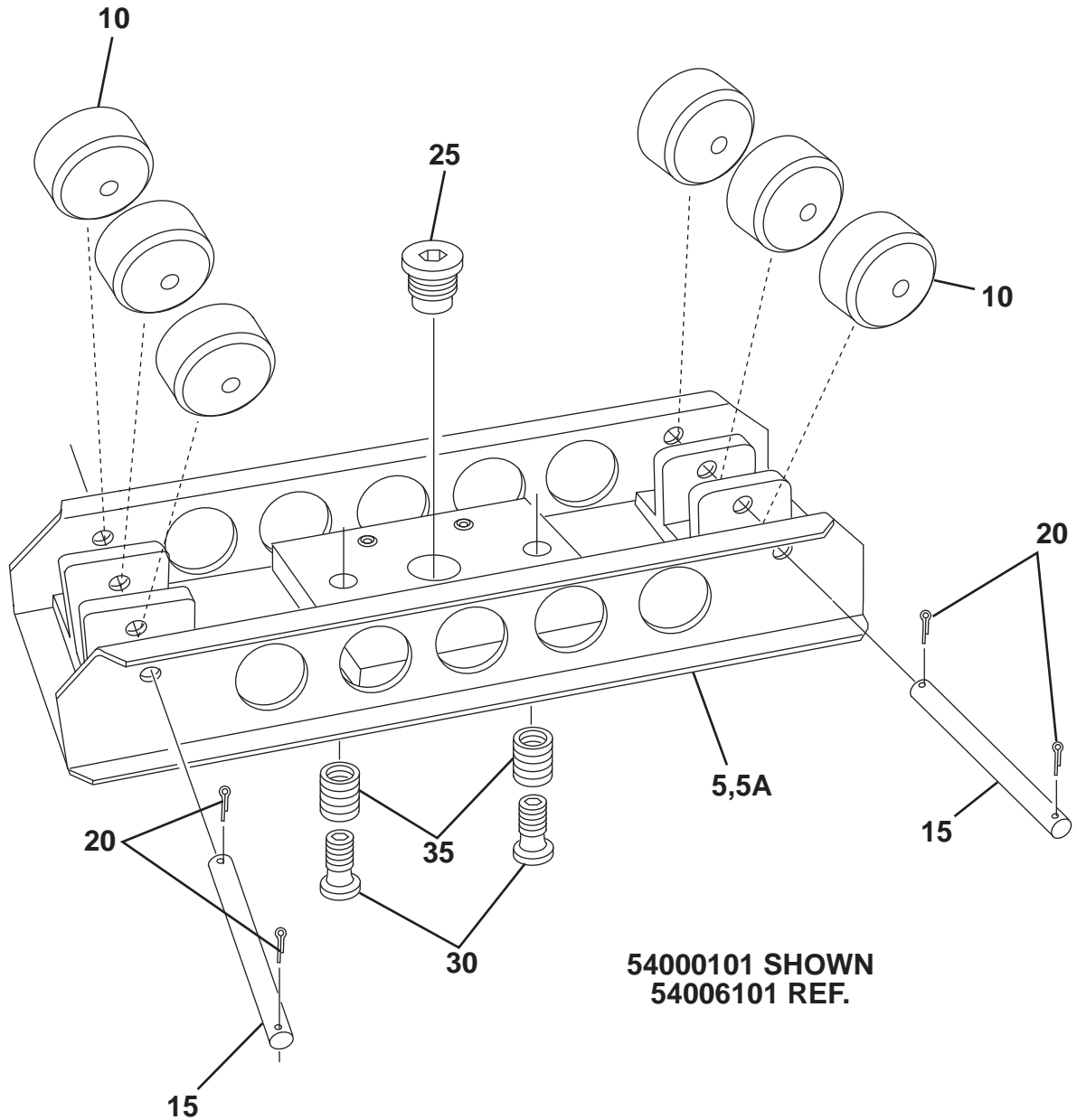
Publication Update 2002

---

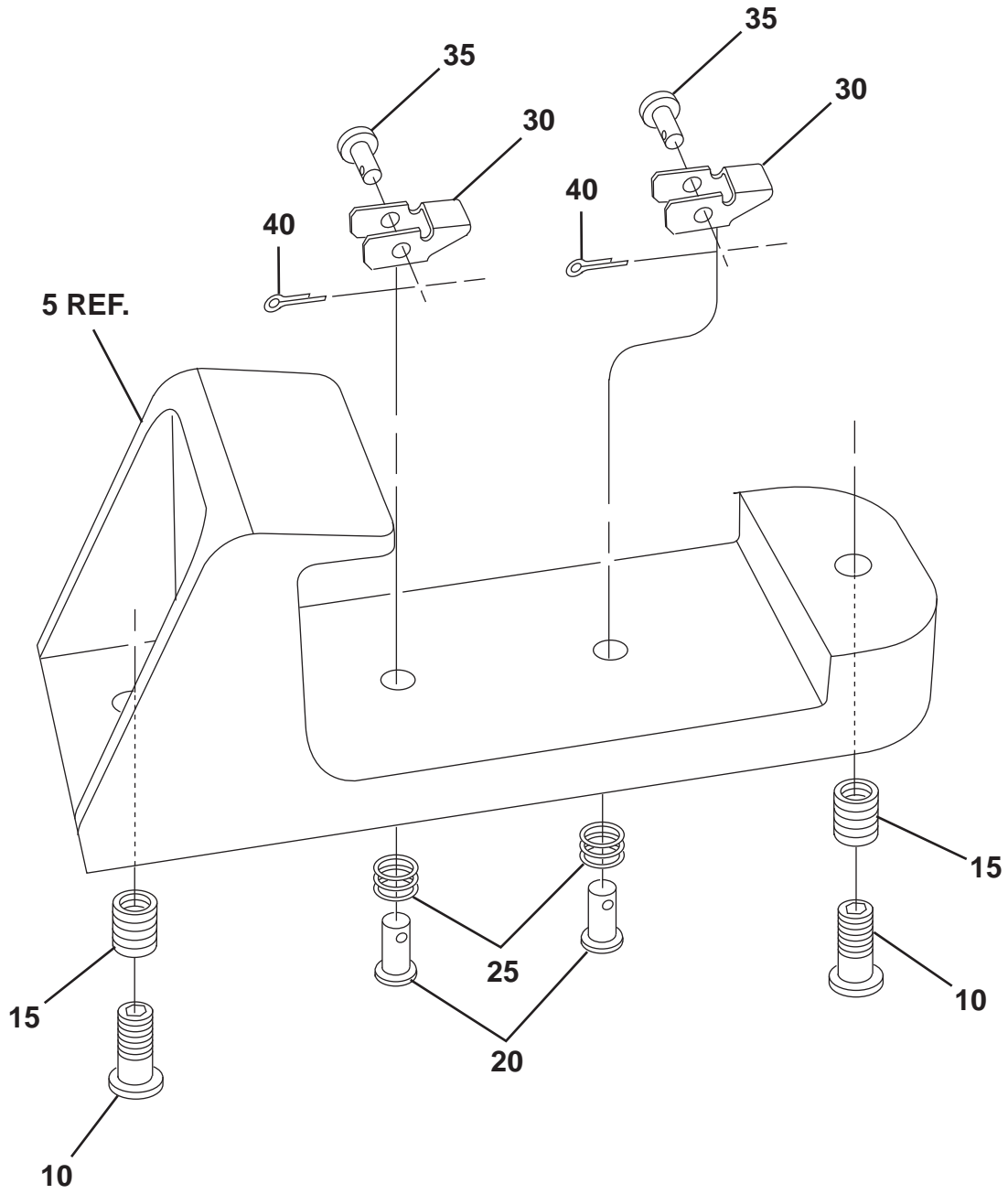


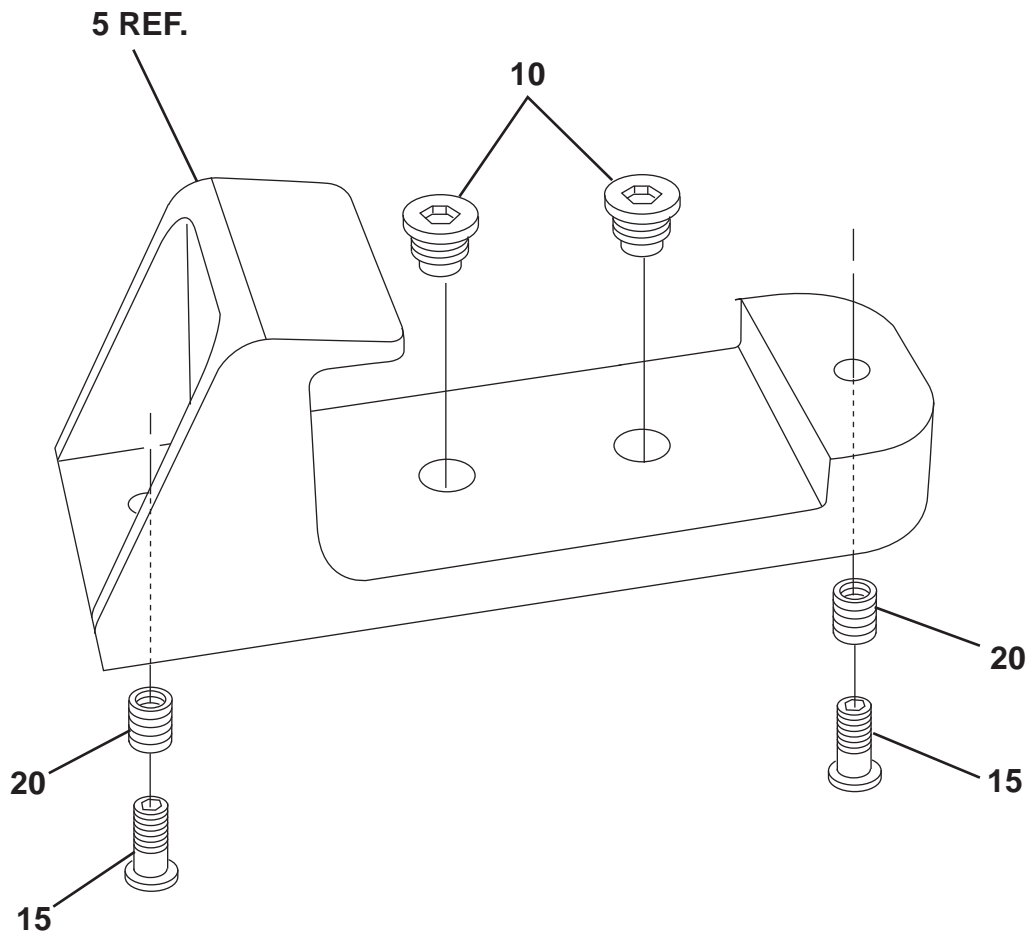


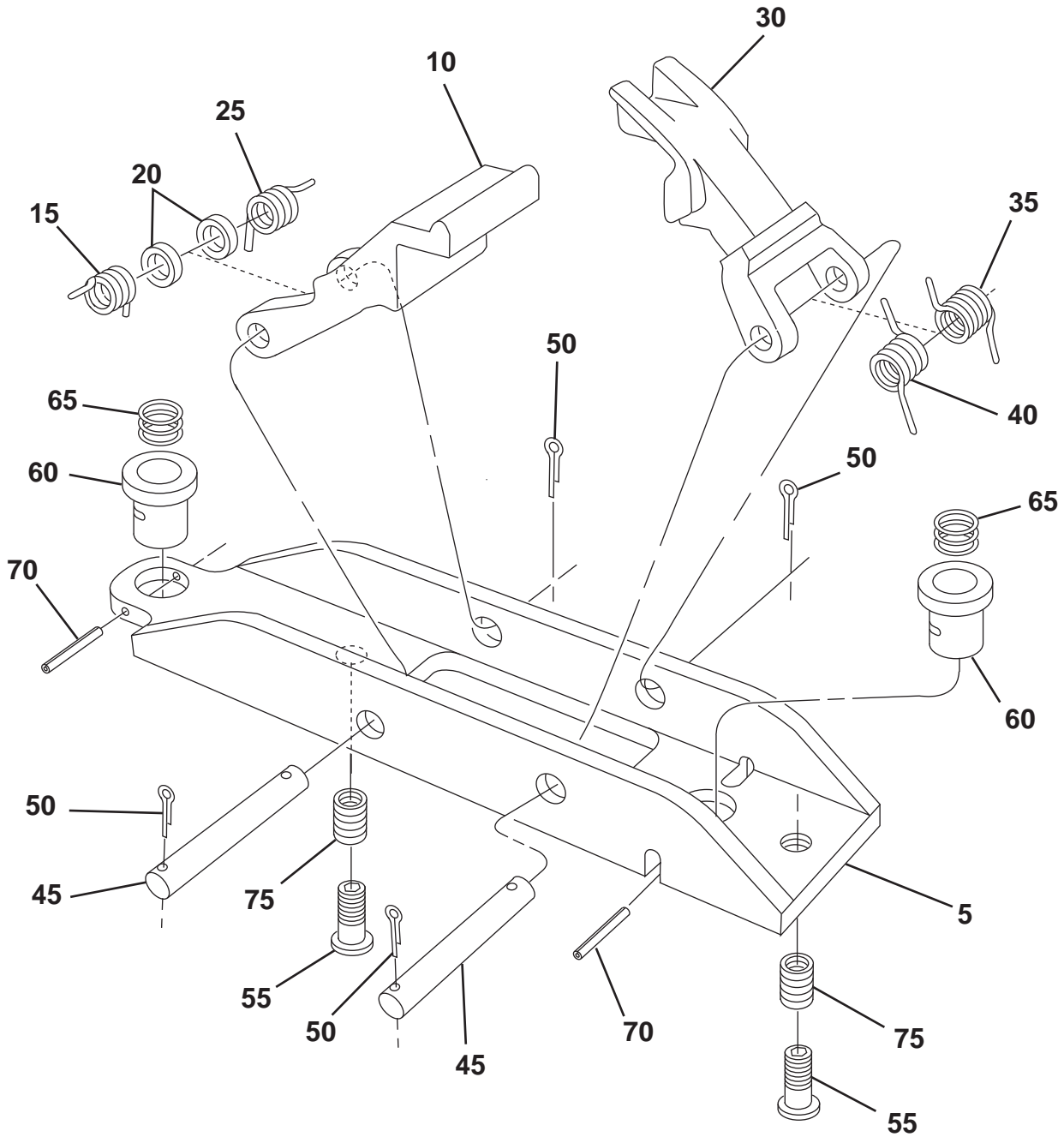




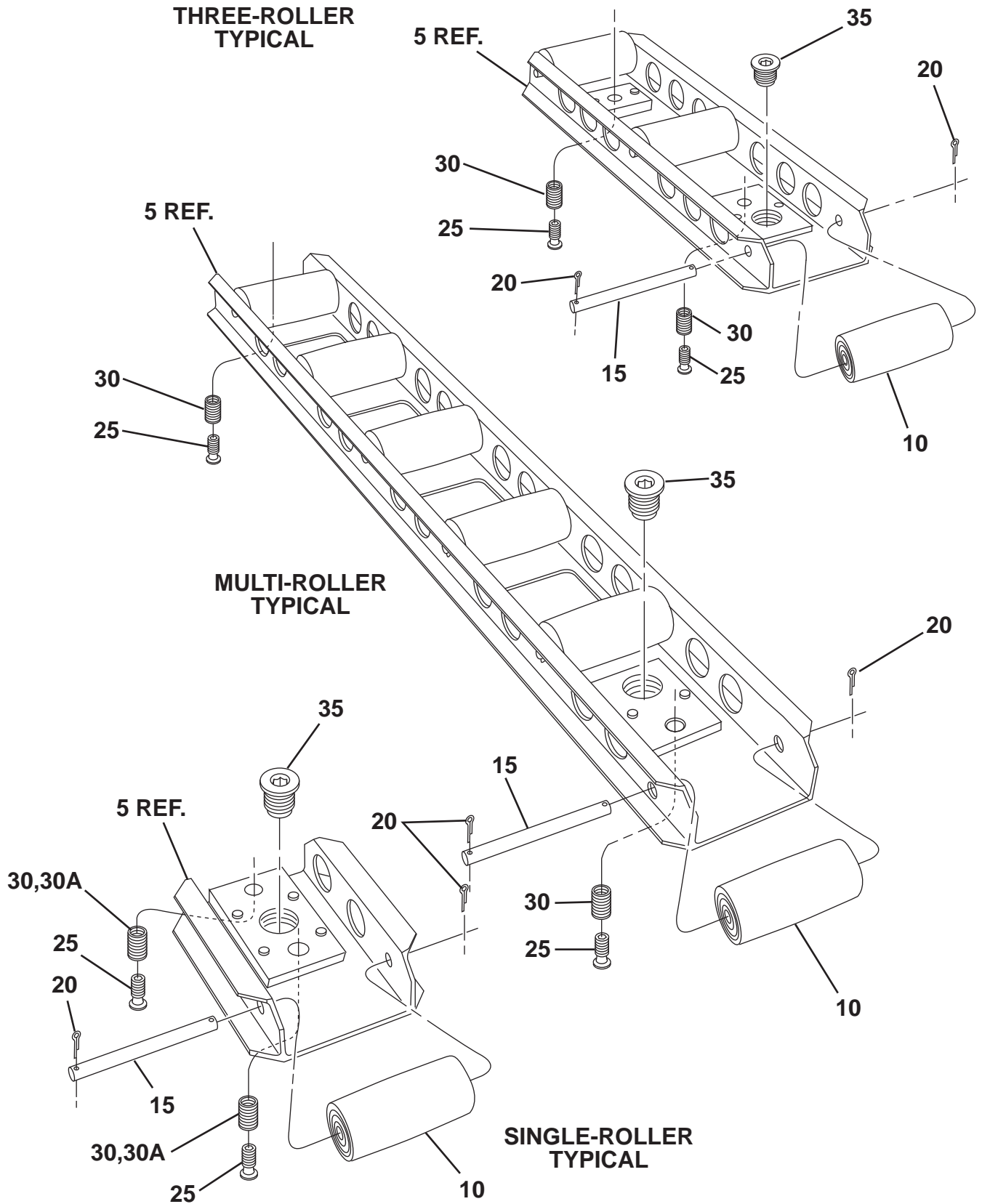
54000101 SHOWN  
54006101 REF.

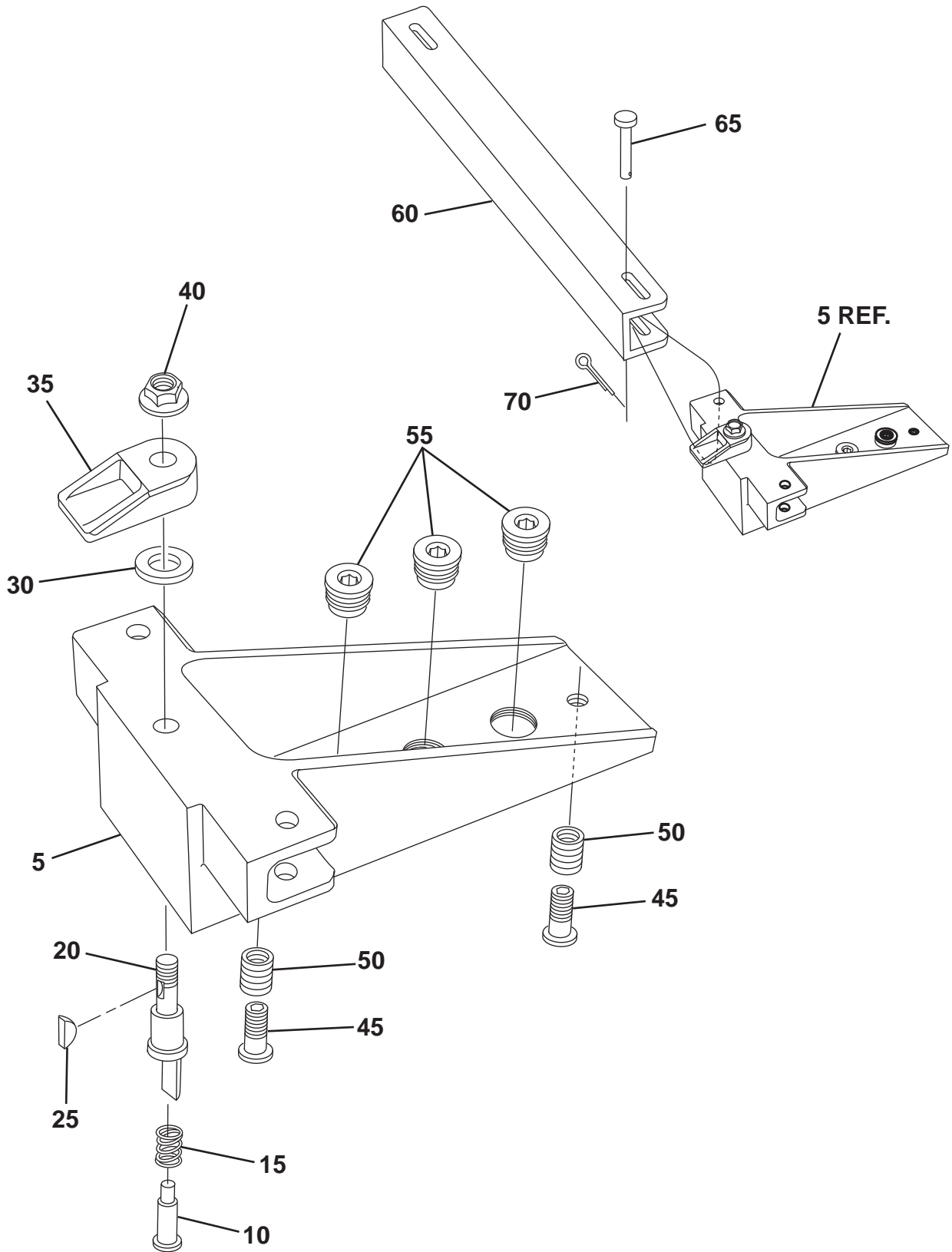


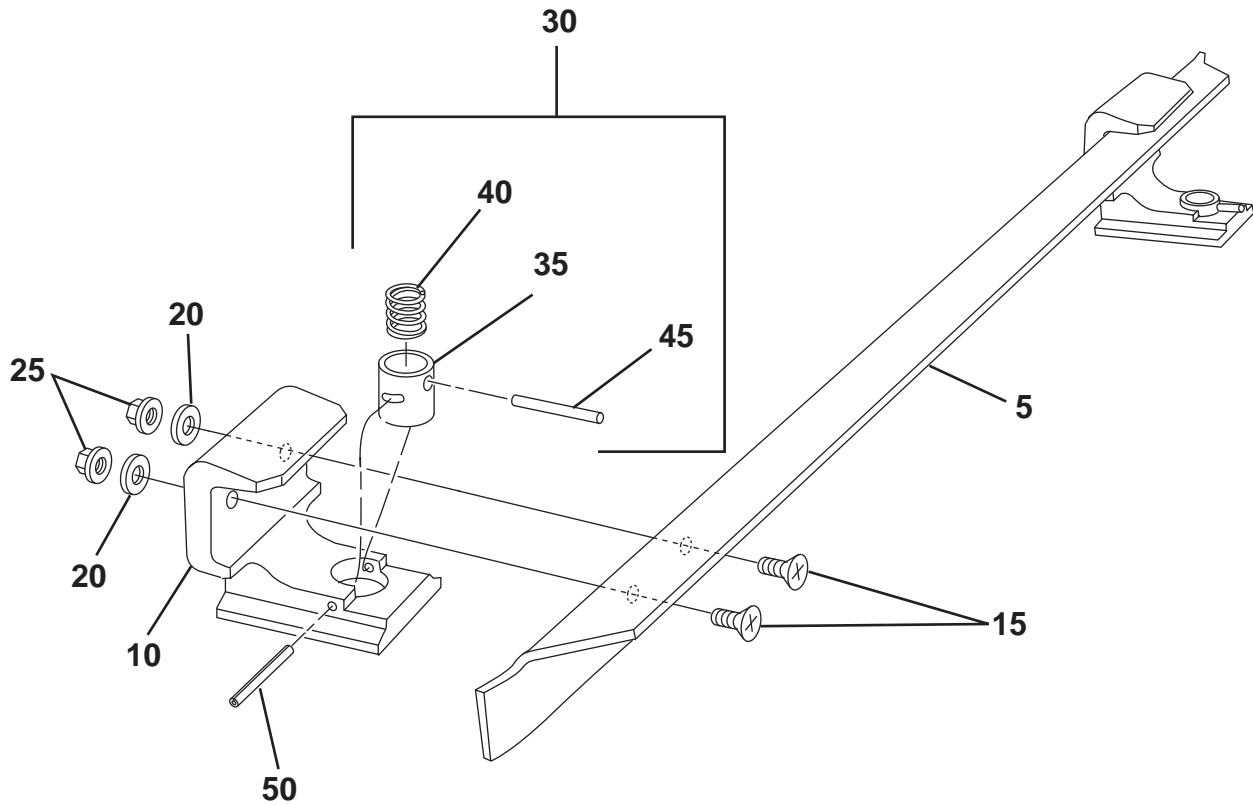
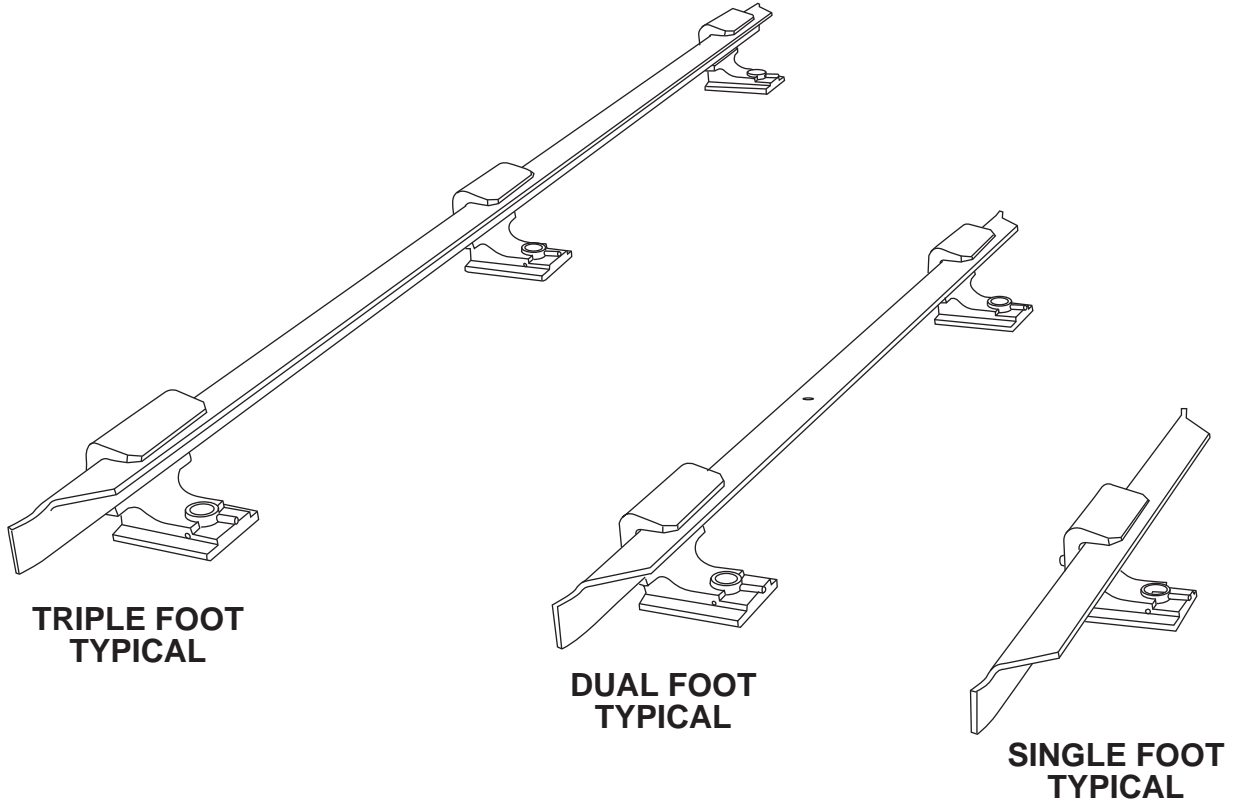


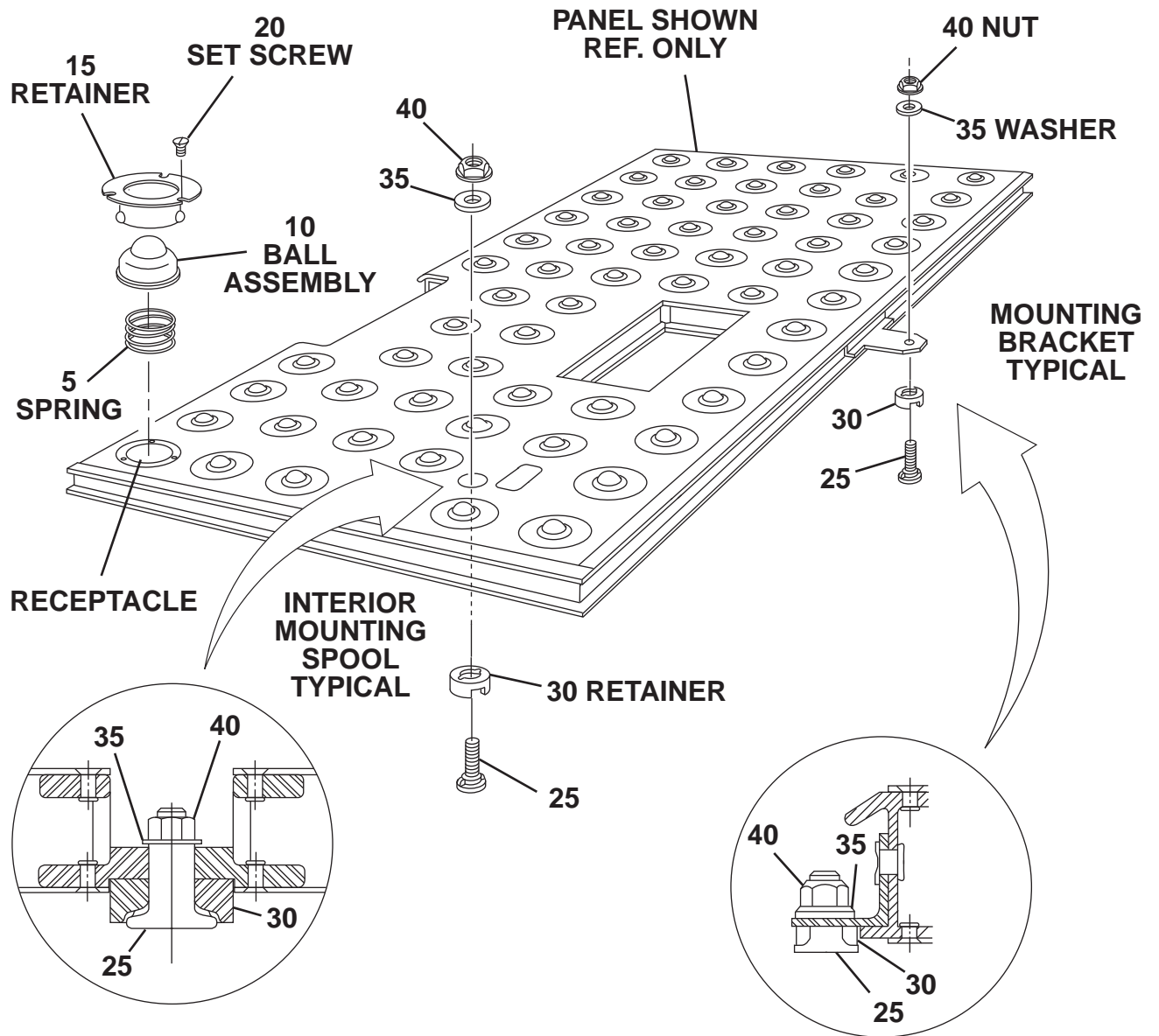


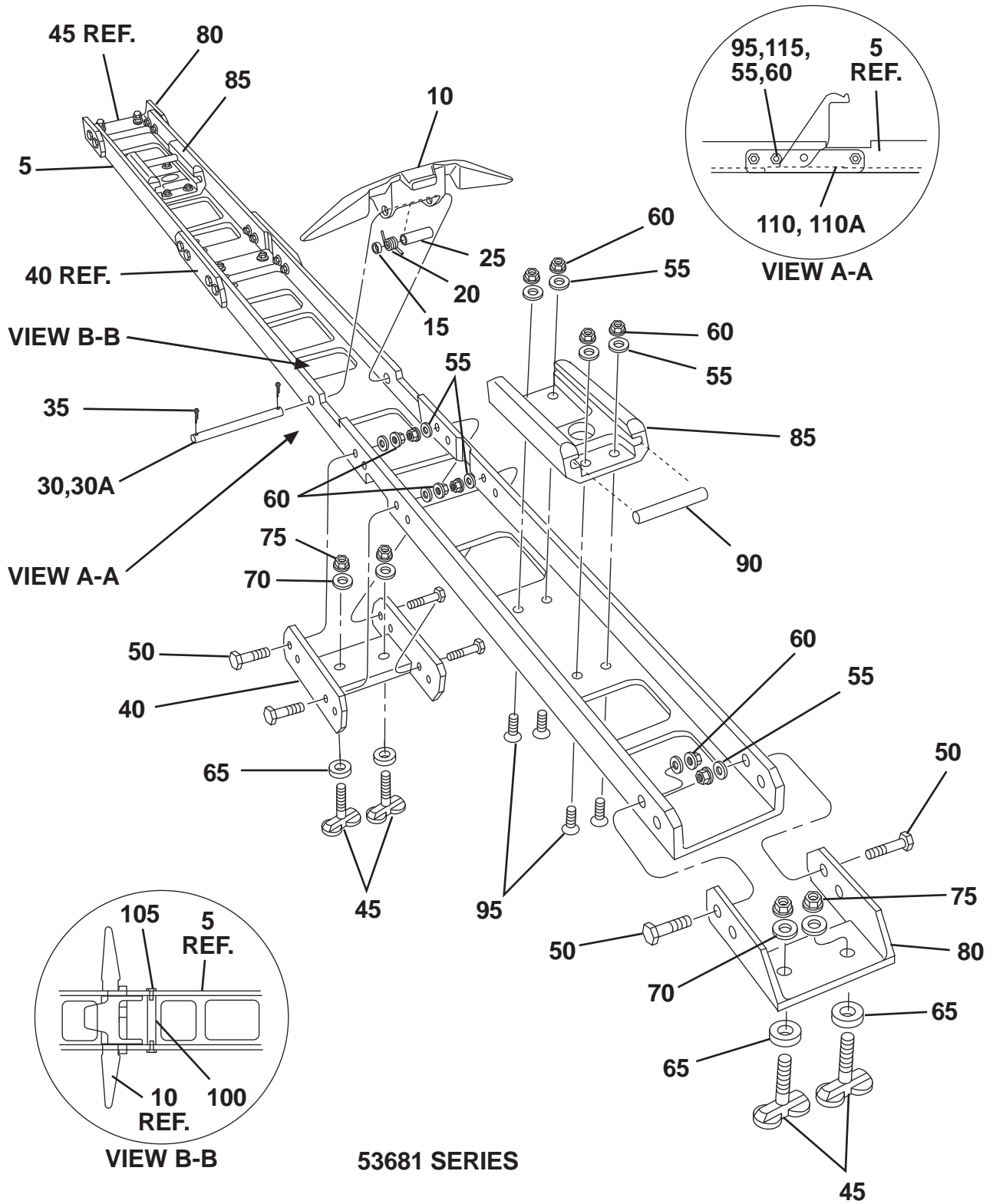




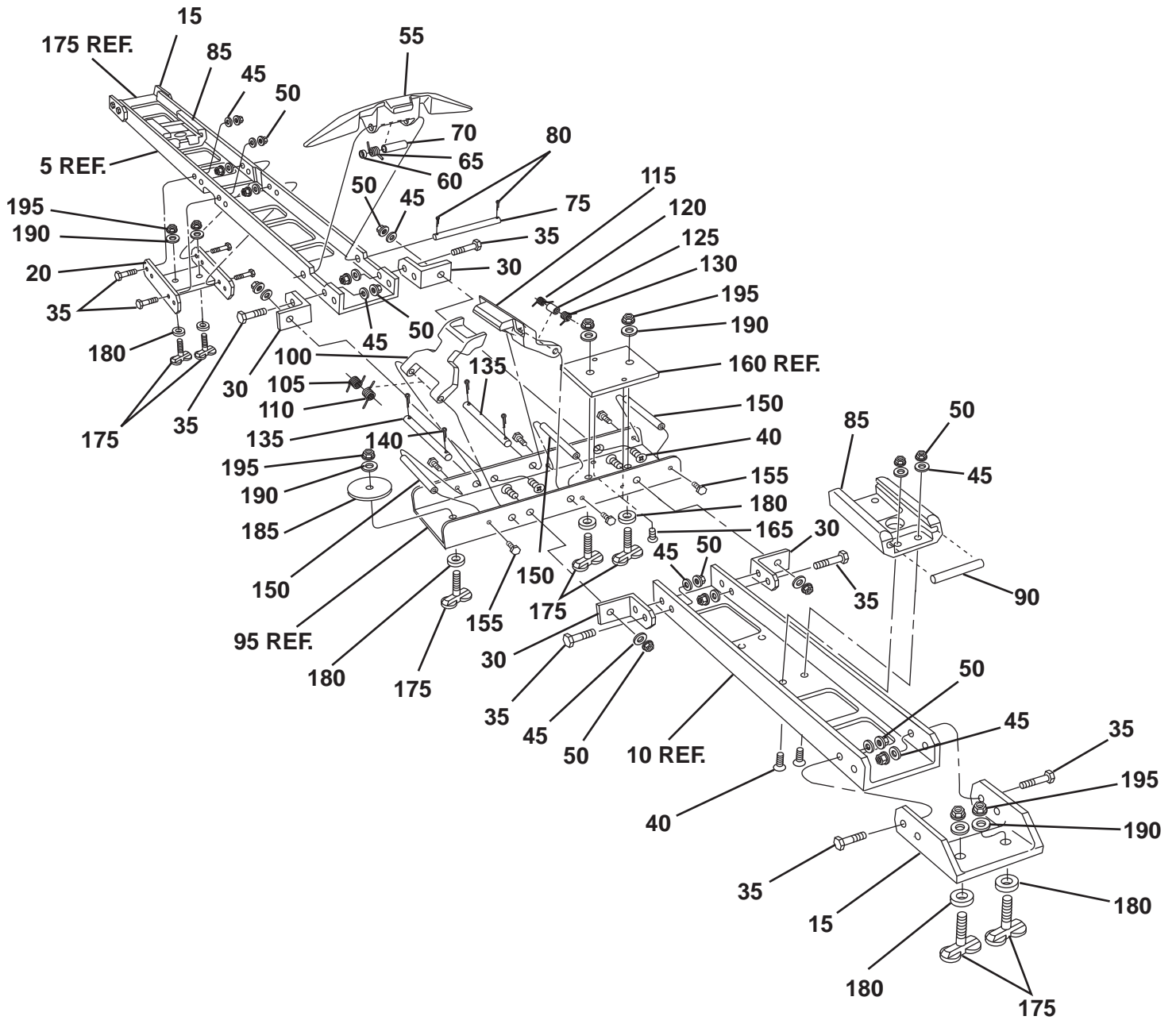


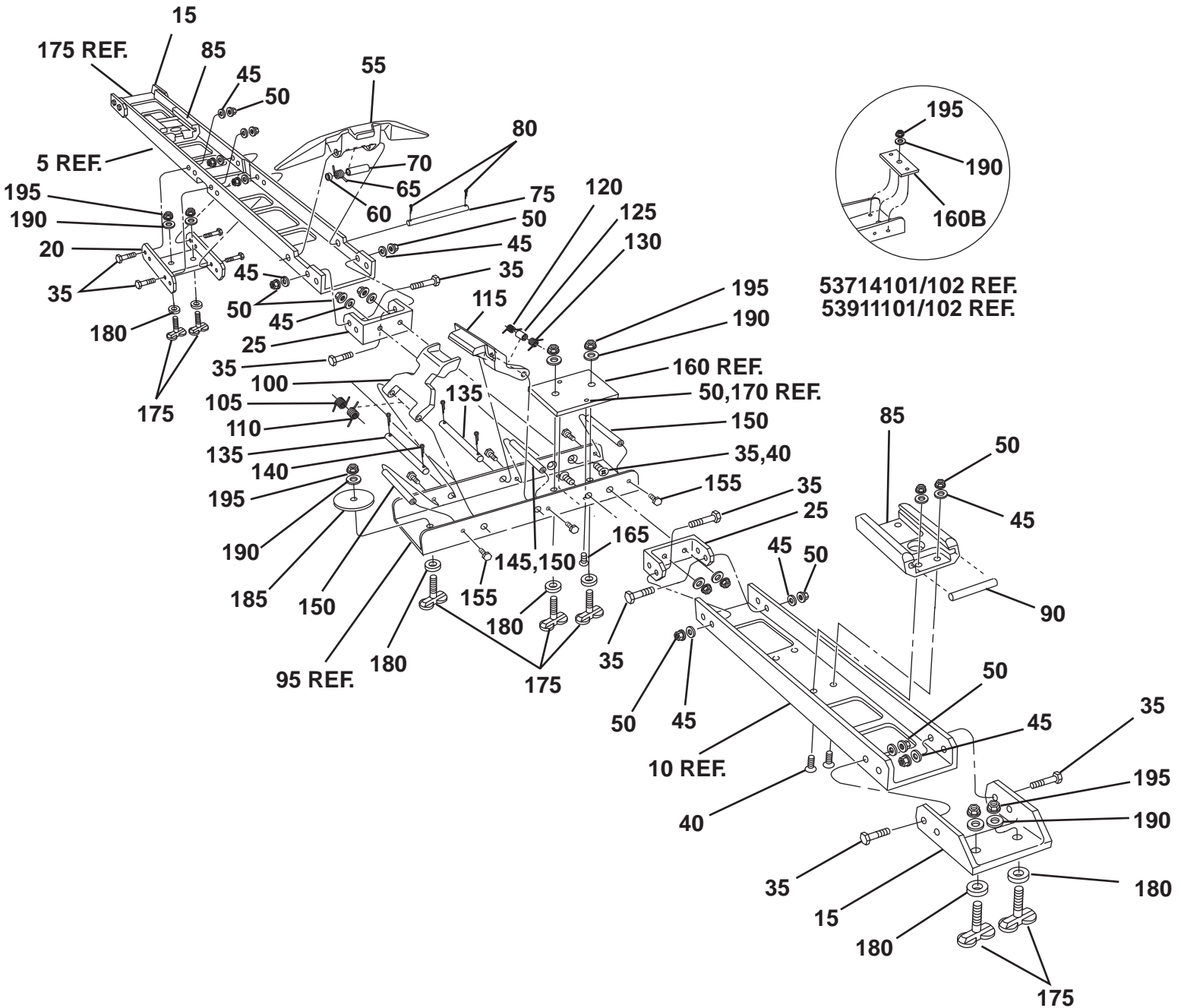


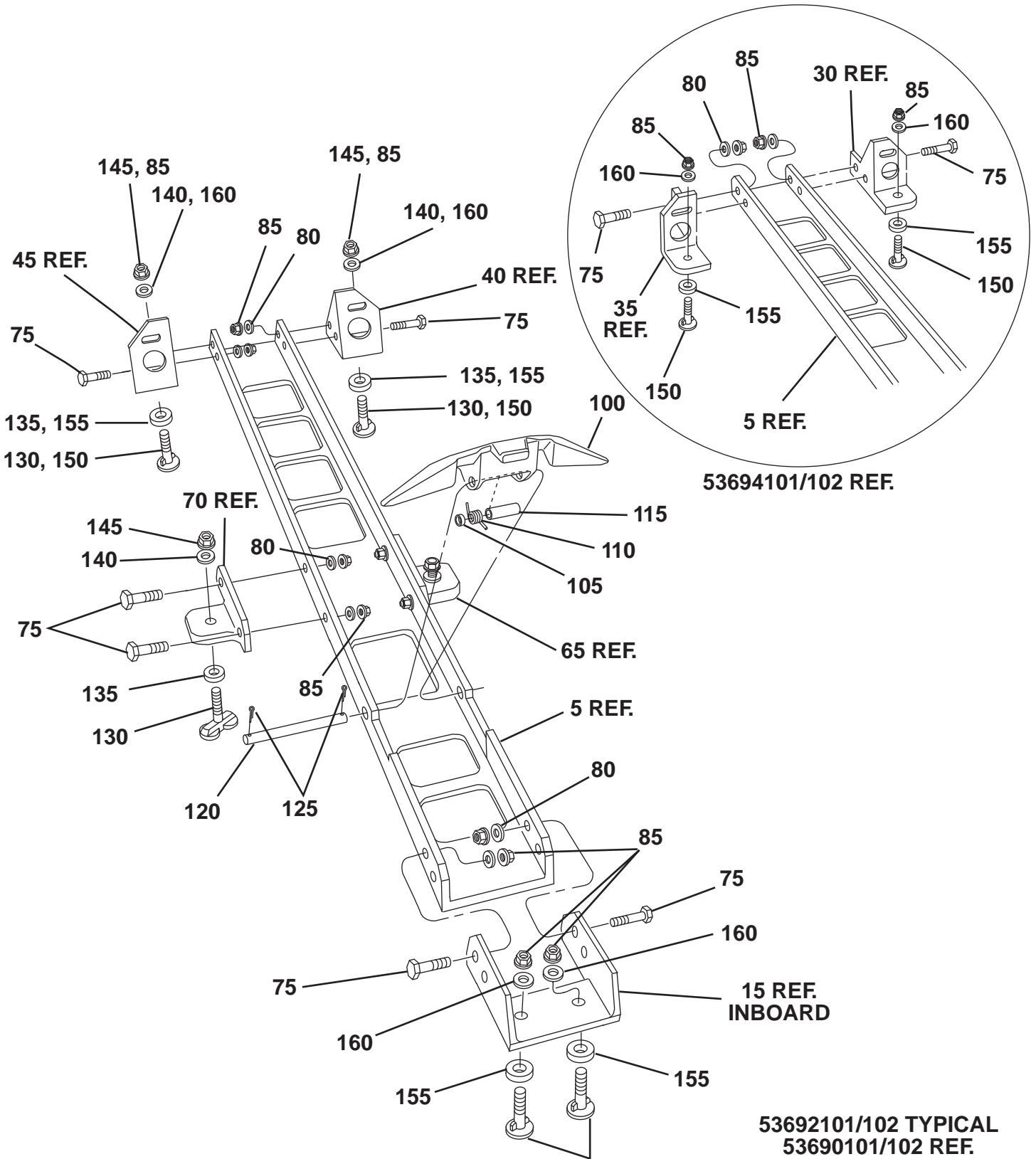




**53681 SERIES**



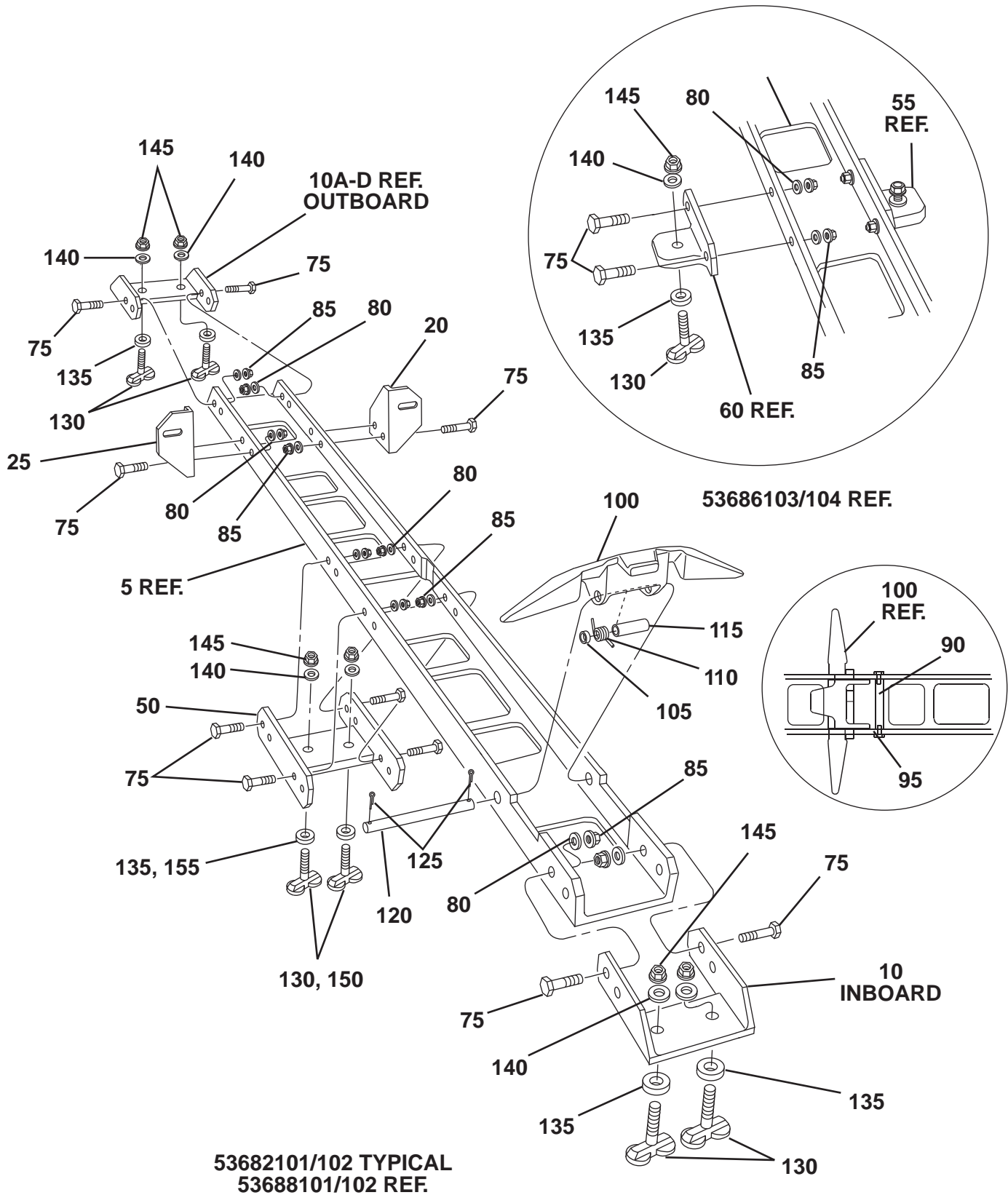


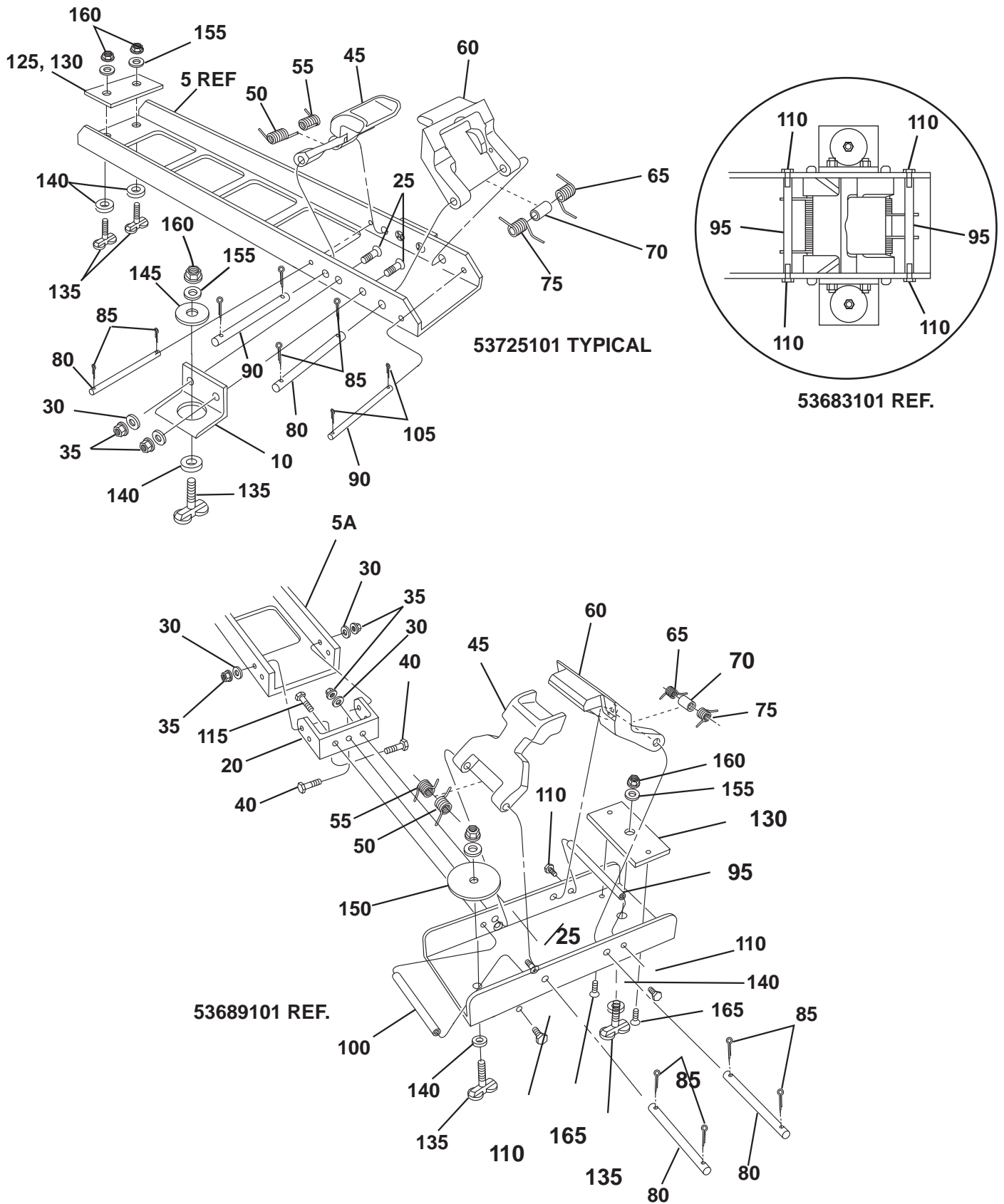


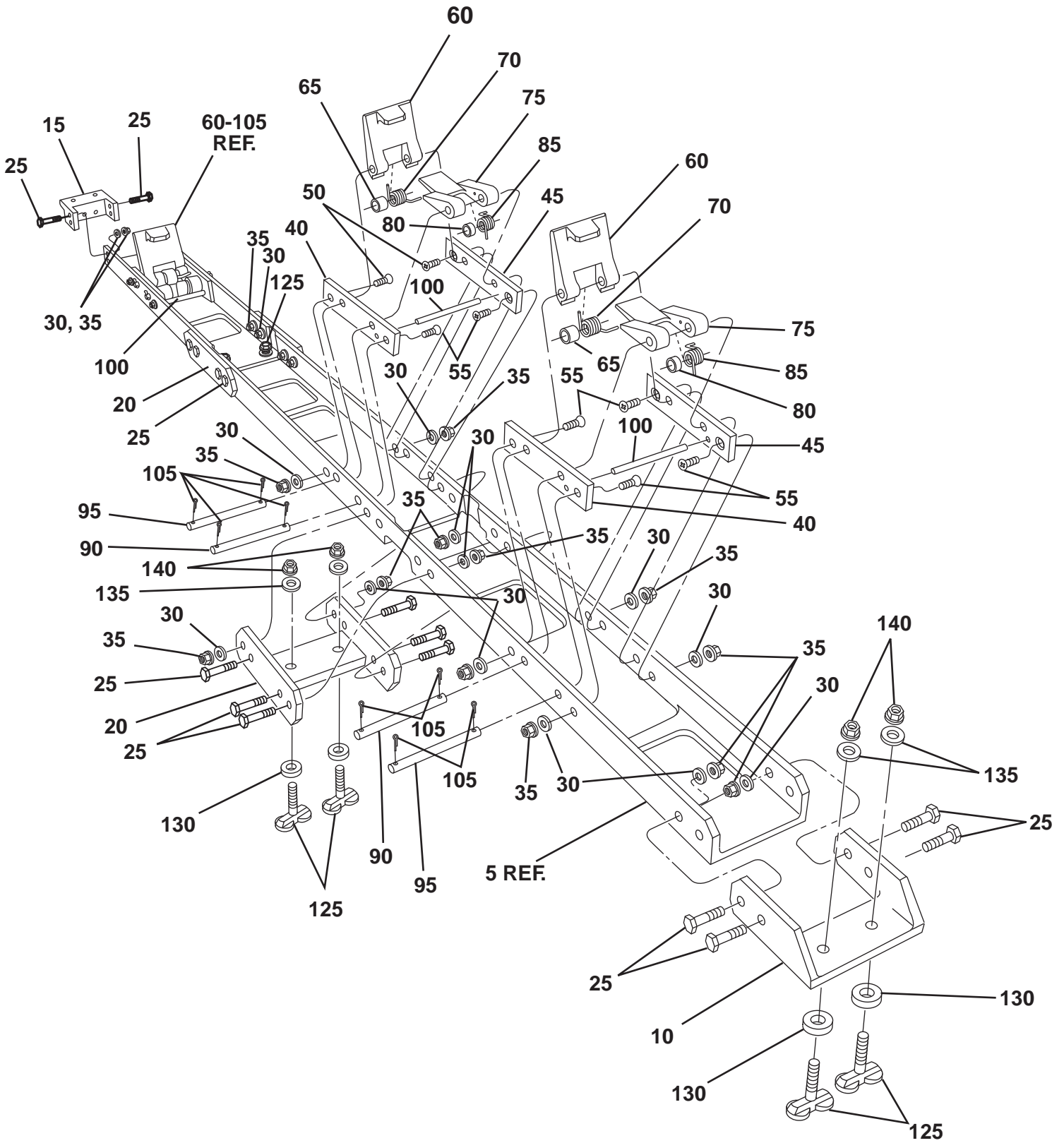
53694101/102 REF.

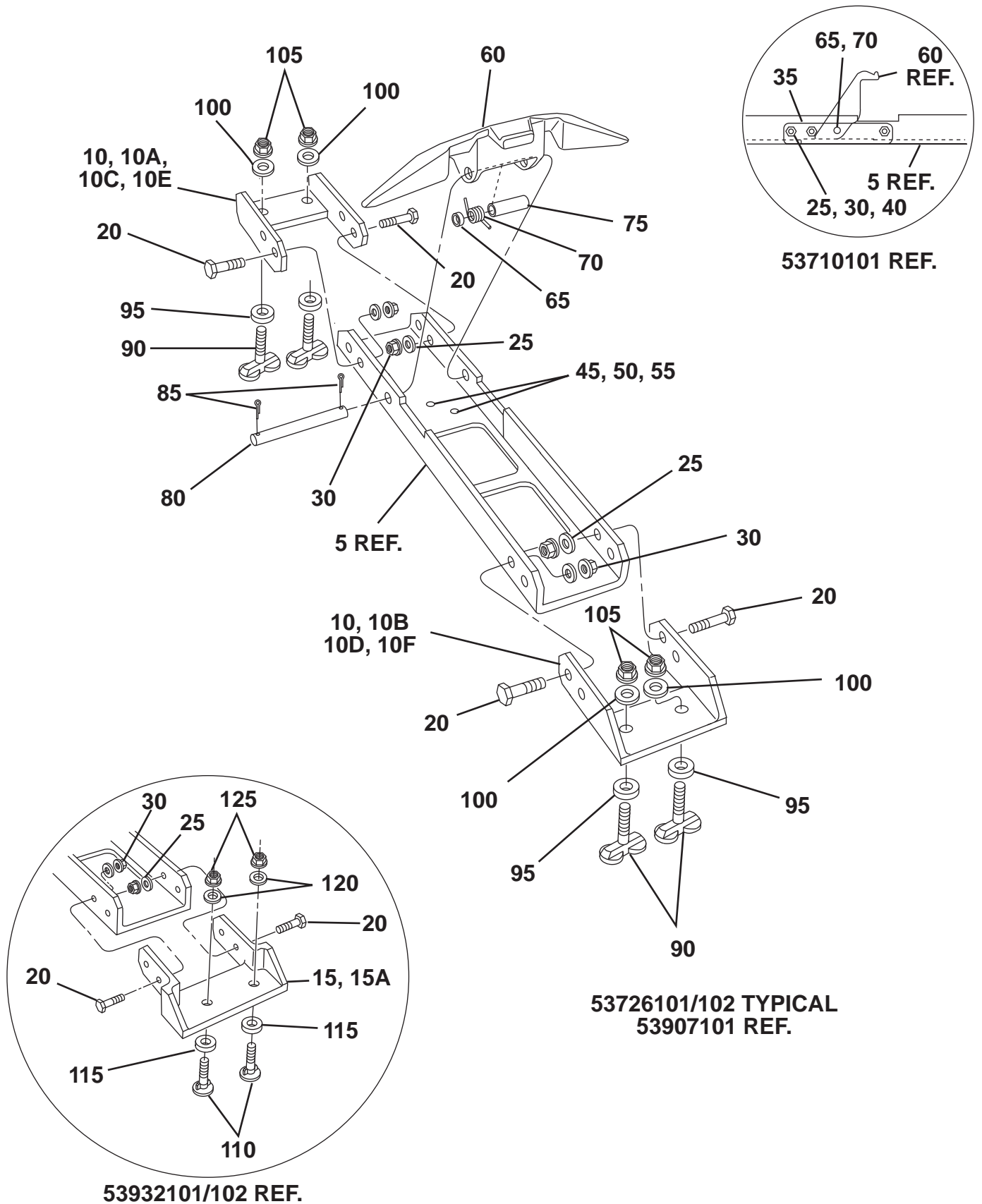
53692101/102 TYPICAL  
 53690101/102 REF.

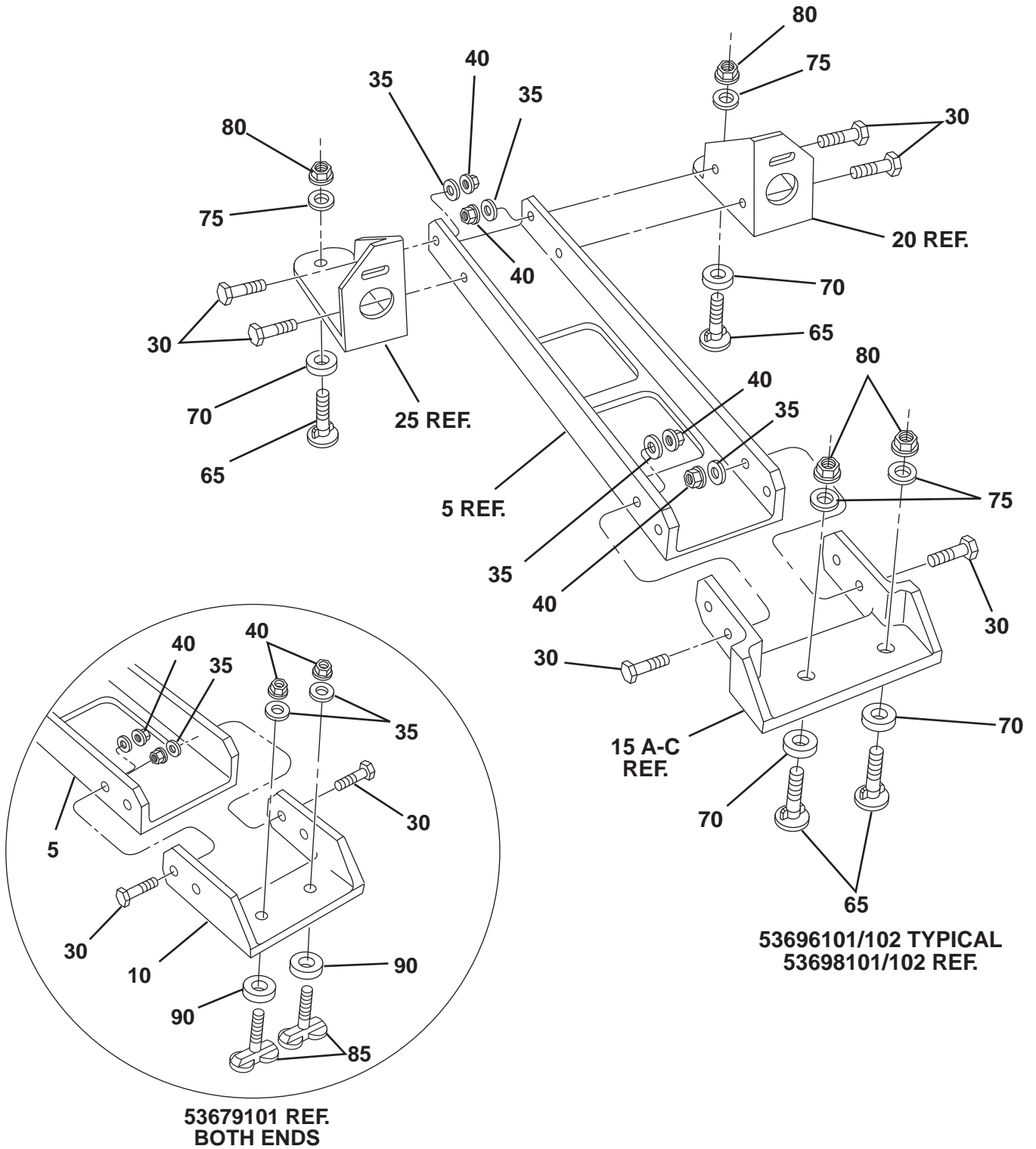


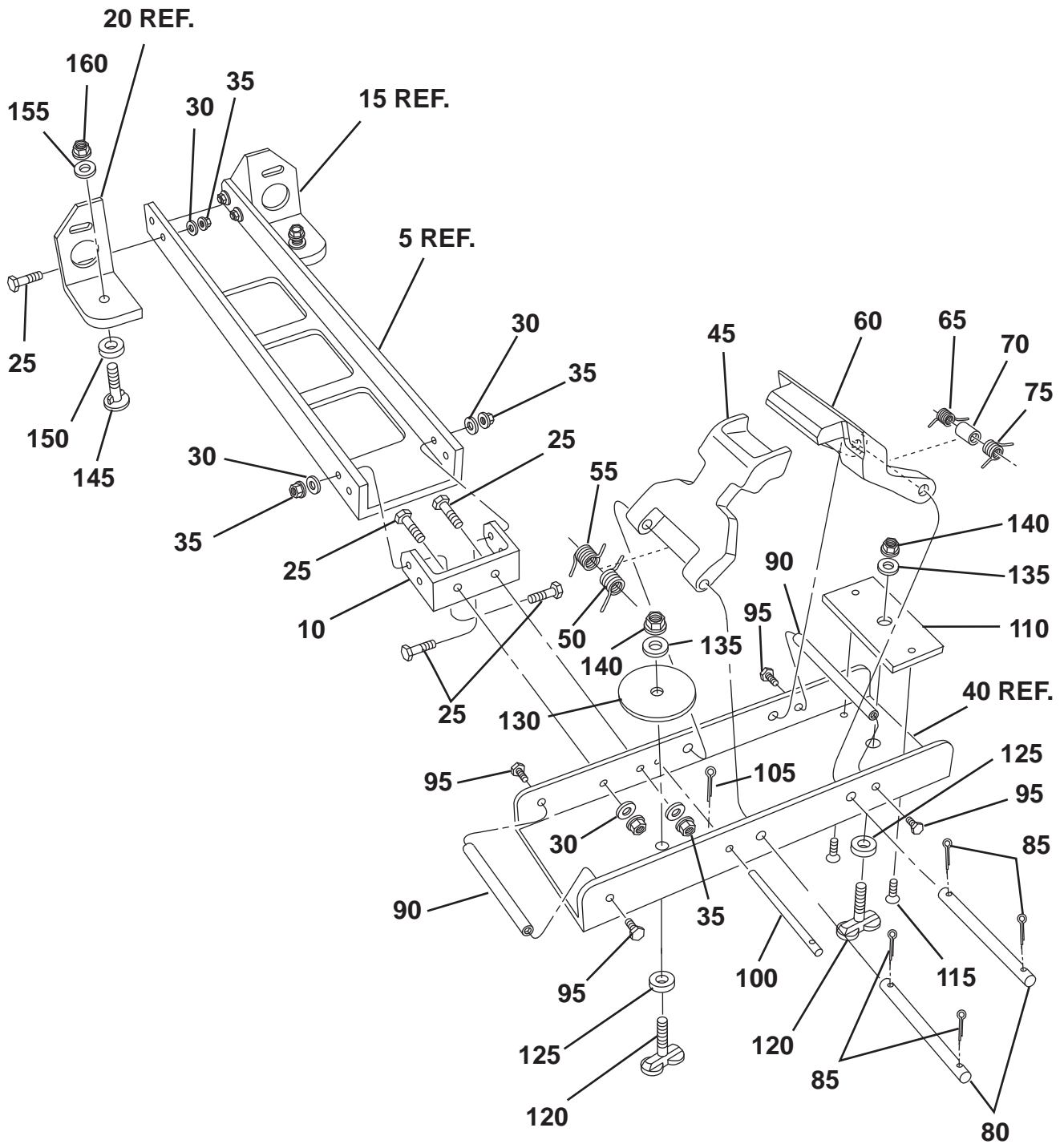




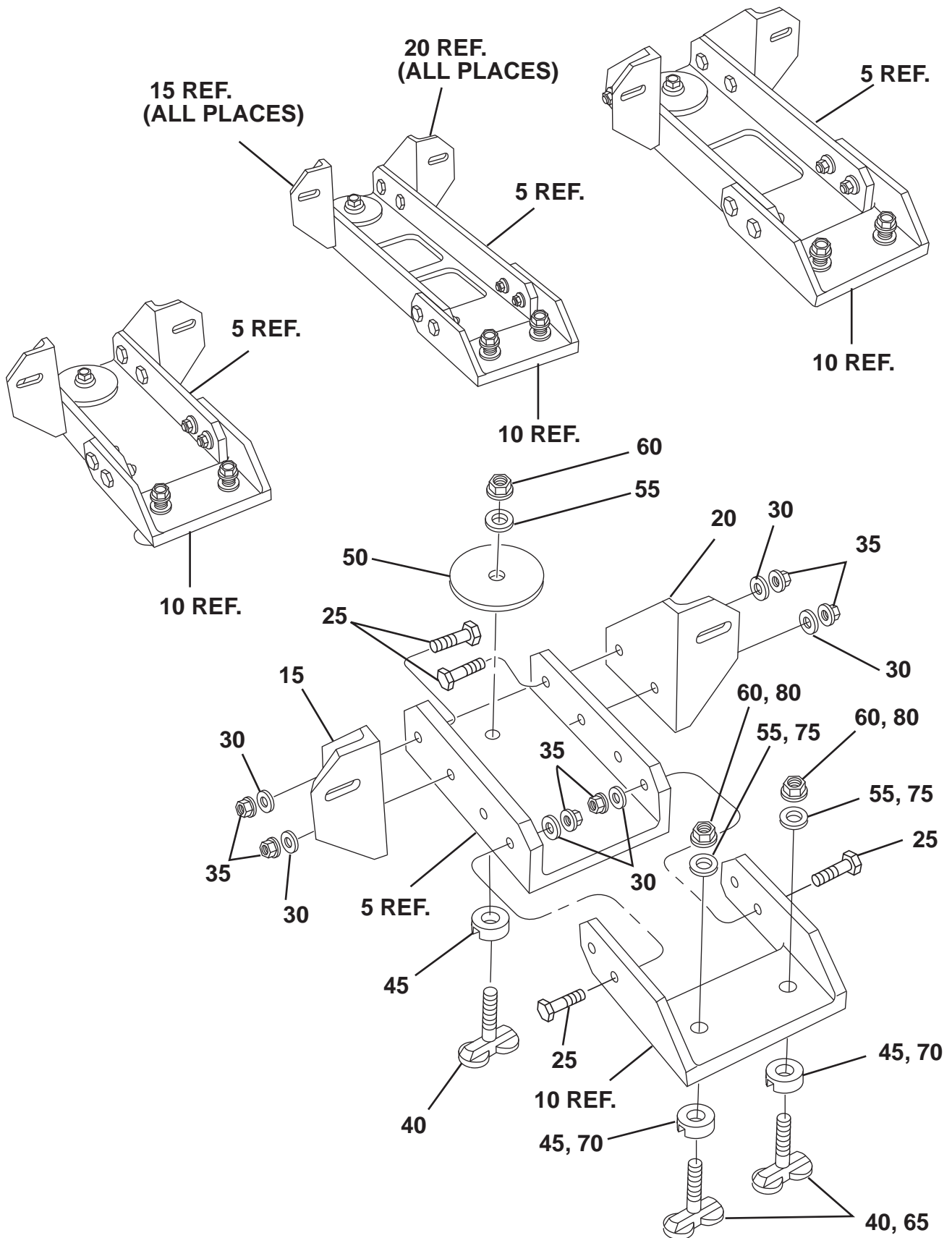




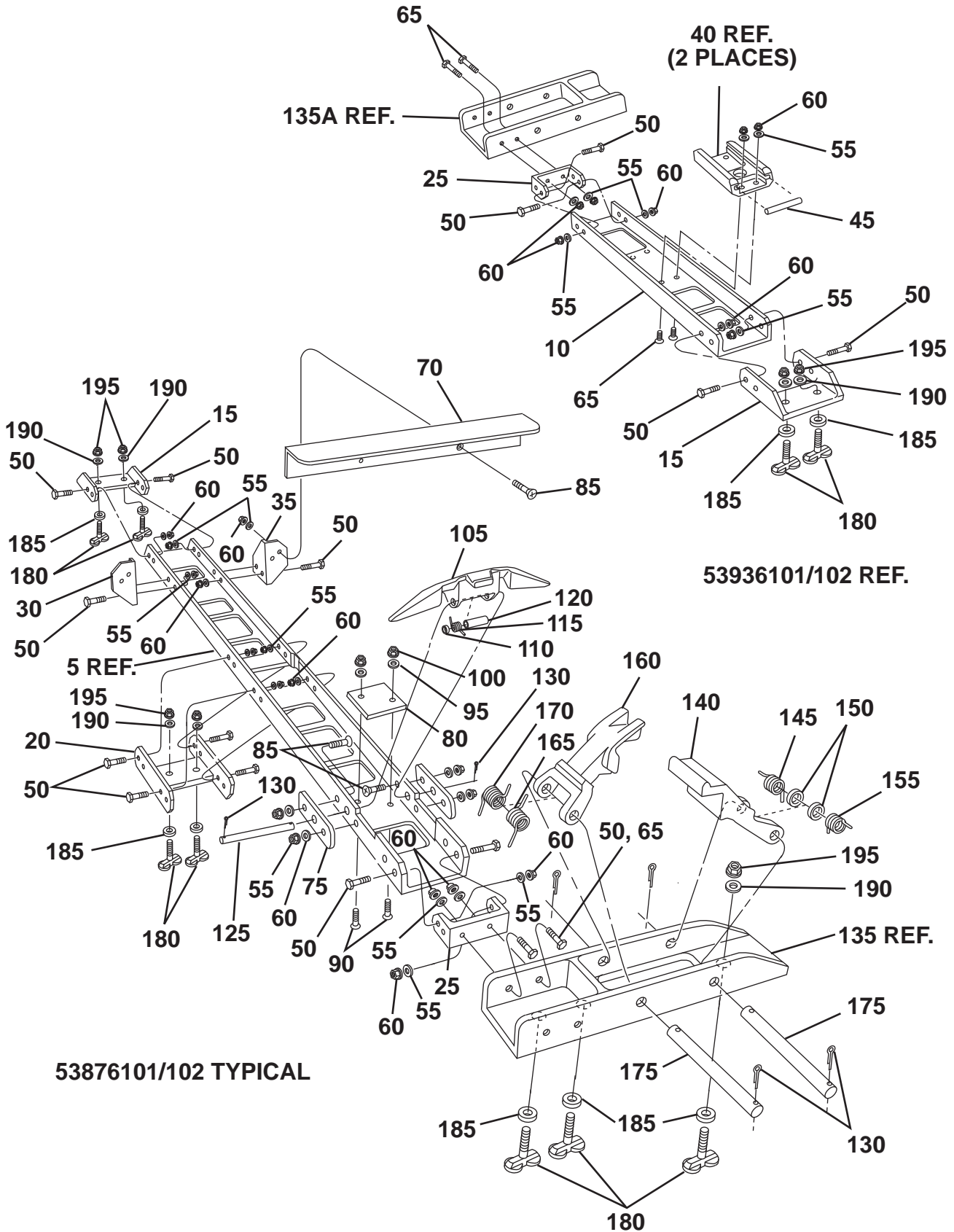




**53707102 TYPICAL  
 5370101 OPPOSITE**



**25-50-20** Fig. 20  
 Page 0  
 Mar 31/97

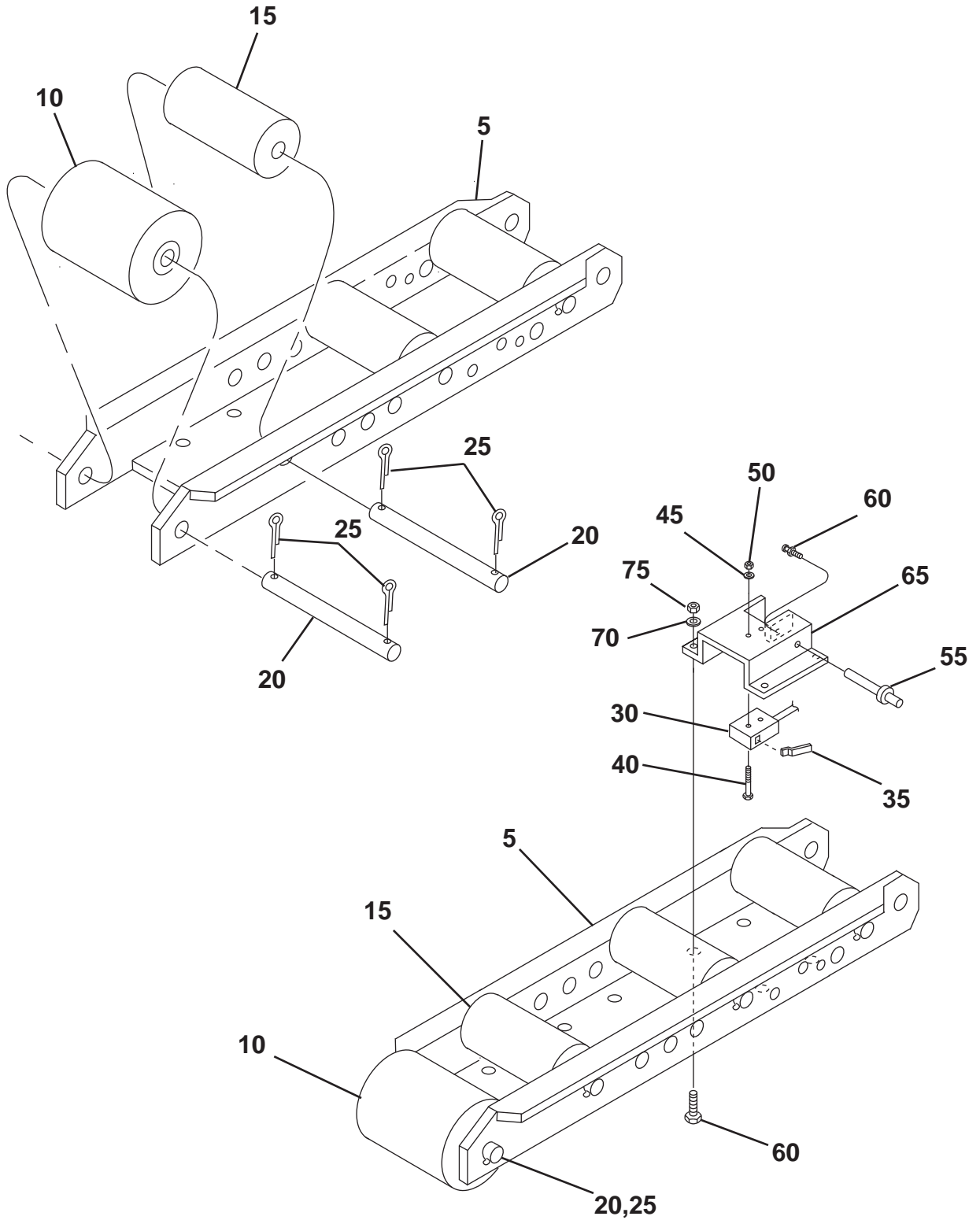


53876101/102 TYPICAL

53936101/102 REF.

**25-50-21**





**25-50-22** Fig. 24  
Page 0  
Mar 31/97

